

JUNIOR TIMER VALVE PLUG 90° LED

PUR 2x0,75 black 1.5m

Female 90°

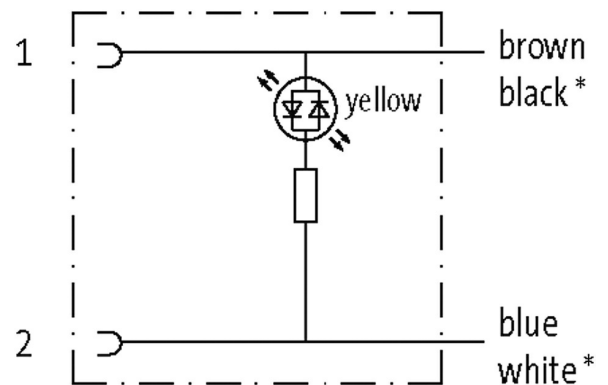
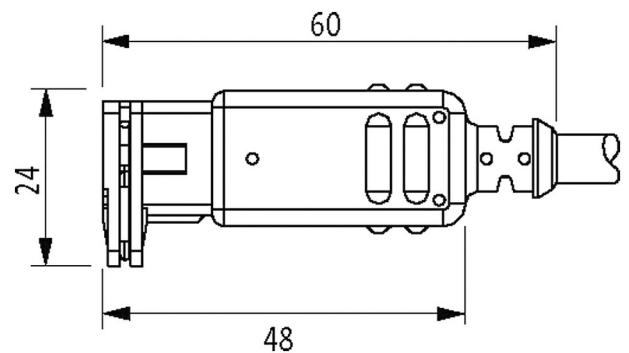
10...30 V AC/DC

LED

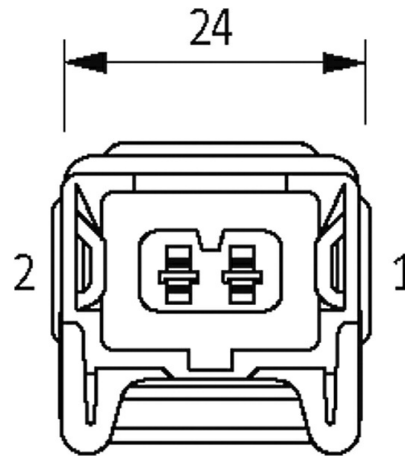
Plastic housings with good resistance against chemicals and oils.

The resistance to aggressive media should be individually tested for your application. Further details on request.

Further cable lengths on request.

[Link to Product](#)**Illustration**

* for cable type (740)



Product may differ from Image

Form

Form 70321

General data

Temperature range -25...+85 °C, depending on cable quality

Cables

Cable number	750
No./diameter of wires	2 × 0.75 mm ²
Wire isolation	PVC (br, bl)
Jacket Color	black
Material (jacket)	PUR/PVC
Outer Ø	5.9 mm ±5%
Bend radius (moving)	15 × outer Ø
Temperature range (fixed)	-40...+80 °C
Temperature range (mobile)	-5...+80 °C
Cable identification	750
Approval (cable)	CE conform
Cable weight [g/m]	48,40
Material (wire)	Cu wire, bare
Resistor (core)	max. 26 Ω/km (20 °C)
Single wire Ø (core)	0.2 mm
Construction (core)	24 × 0.2 mm (multi-strand wire class 5)
Diameter (core)	2 × 0.75 mm ²
AWG	similar to AWG 18
Material (wire isolation)	PVC
Color/numbering of wires	br, bl
Stranding combination	2 wires twisted
Shield	no
Material (jacket)	PUR/PVC
Outer-Ø (jacket)	5.9 mm ±5%
Color (jacket)	black
chemical resistance	good resistance to oil, gasoline and chemicals
Nominal voltage	300 V AC
Test voltage	2000 V AC

Temperature range (fixed)	-40...+80 °C
---------------------------	--------------

Temperature range (mobile)	-5...+80 °C
----------------------------	-------------

Bend radius (moving)	15× outer Ø
----------------------	-------------

Technical Data

Operating voltage	10...30 V AC/DC
-------------------	-----------------

Operating current per contact	max. 4 A
-------------------------------	----------

LED display	(yellow)
-------------	----------

Current consumption	approx. 12 mA
---------------------	---------------

Protection	IP65 inserted and tightened (EN 60529)
------------	--

Housing	Black plastic, flame retardant
---------	--------------------------------

Rated surge voltage	0.8 kV
---------------------	--------

Commercial data

country of origin	DE
-------------------	----

customs tariff number	85444290
-----------------------	----------

EAN	4048879286145
-----	---------------

eClass	27279218
--------	----------

Packaging unit	1
----------------	---